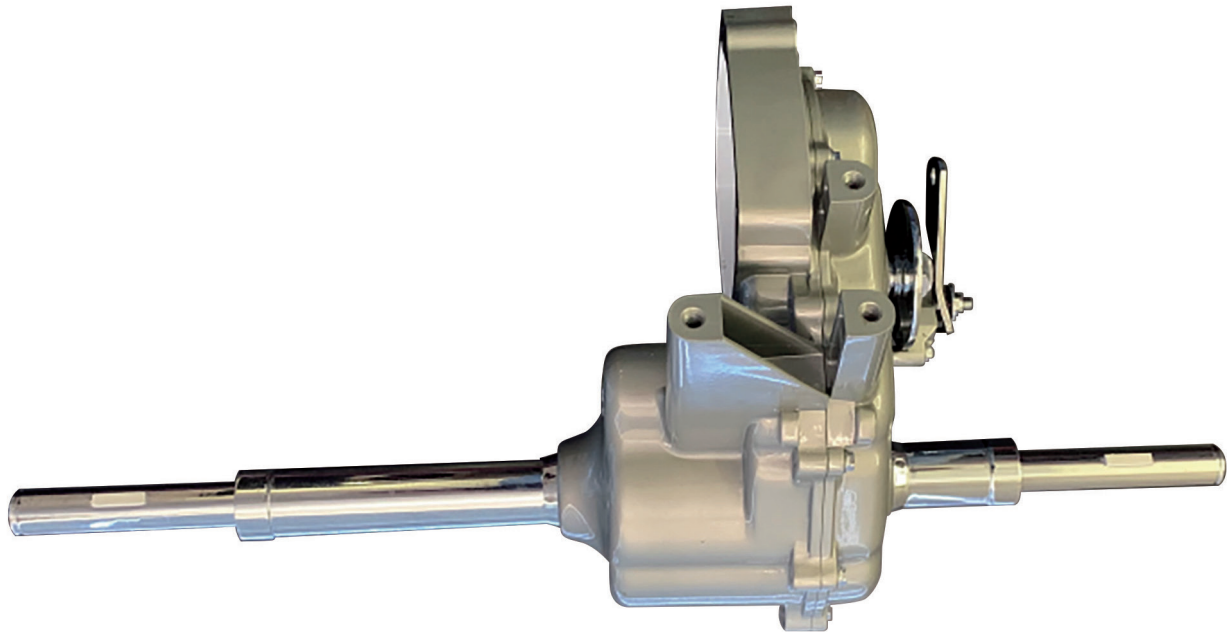


PEERLESS® GEAR

Your Transmission Solution

Made in the USA Since 1945



1300 Series Hydrostatic Final Drives

Driving Choice. Delivering Dependability.

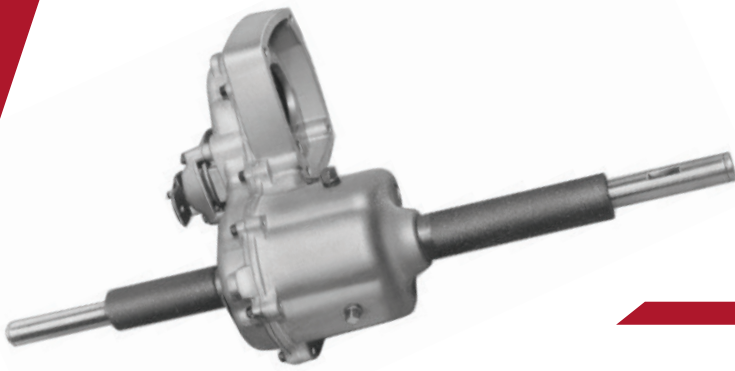
All Peerless products are supported by a global dealer/distributor network of 12,000+ locations providing convenient worldwide service.

PEERLESS GEAR
1555 S. Jackson St.
Salem, IN 47167 USA

US Customer Support 812-675-GEAR (4327)
US Engineering 812-883-7960
US Sales 812-883-7979

International Sales
& Engineering
0044 7889 668531

peerlessgear.com



1300 Series

Hydrostatic Final Drives

PEERLESS® GEAR

Your Transmission Solution
Made in the USA Since 1945

Technical Specs

Output Torque

400 ft. lbs. (542 N-m)

Axle Size

1" (25.4 mm)

Max. Weight on Transaxle

600 lbs. (272 kg)

Max. Input Speed

3,600 RPM

Max. Tire Diameter

23" (584 mm)

Peerless Gasket for Motor Mounting

P/N 788046 (1300)

P/N 788050 (1310)

Parking Brake

Disc brake available

Net Weight

30 lbs. (14 kg)

Features & Benefits

PEERLESS 1300 Hydrostatic Final Drives, when coupled with an Eaton Model 11 Hydrostatic Transmission, can provide up to 400 ft. lbs. (542 N-m) of axle output torque. For applications with lower output torque requirements, the Peerless 1300 Series can be coupled to the Eaton Model 7 Hydrostatic Transmission.

- **Final Drive** – Housing is made from reinforced die-cast aluminum with cast iron axle supports; axles shafts rotate on oil impregnated bronze bushings
- **Gears** – All steel cut gears, heat-treated
- **Axle Shafts** – 1" (25.4 mm) with key slots
- **Differential** – Automotive-type steel bevel gears provide smooth, long lasting performance
- **Oil Bath Lubrication** – Gear case can be used as reservoir for hydrostatic system; Eaton requires premium hydraulic fluid having viscosity equivalent to SAE 20W30
- **Applications** – Air craft tugs, garden tractors, mini tractors, stump grinders, and small fork lifts
- **Available 1310 Gear Ratio:**
 - 12.1:1 uses Pinion Gear #4237P1 from Peerless Gear
 - 16.2:1 uses Pinion Gear #4274P1 from Peerless Gear
- **Available 1300 Gear Ratio:**
 - 19.7:1 uses Pinion Gear #42236 from Eaton
 - 22.2:1 uses Pinion Gear #40511 from Eaton

To purchase Eaton model 7 or 11 hydrostatic transmissions, visit hydraulics.eaton.com/products/trans_light_duty.htm.

PEERLESS GEAR
1555 S. Jackson St.
Salem, IN 47167 USA

US Customer Support 812-675-GEAR (4327)
US Engineering 812-883-7960
US Sales 812-883-7979

International Sales
& Engineering
0044 7889 668531

peerlessgear.com